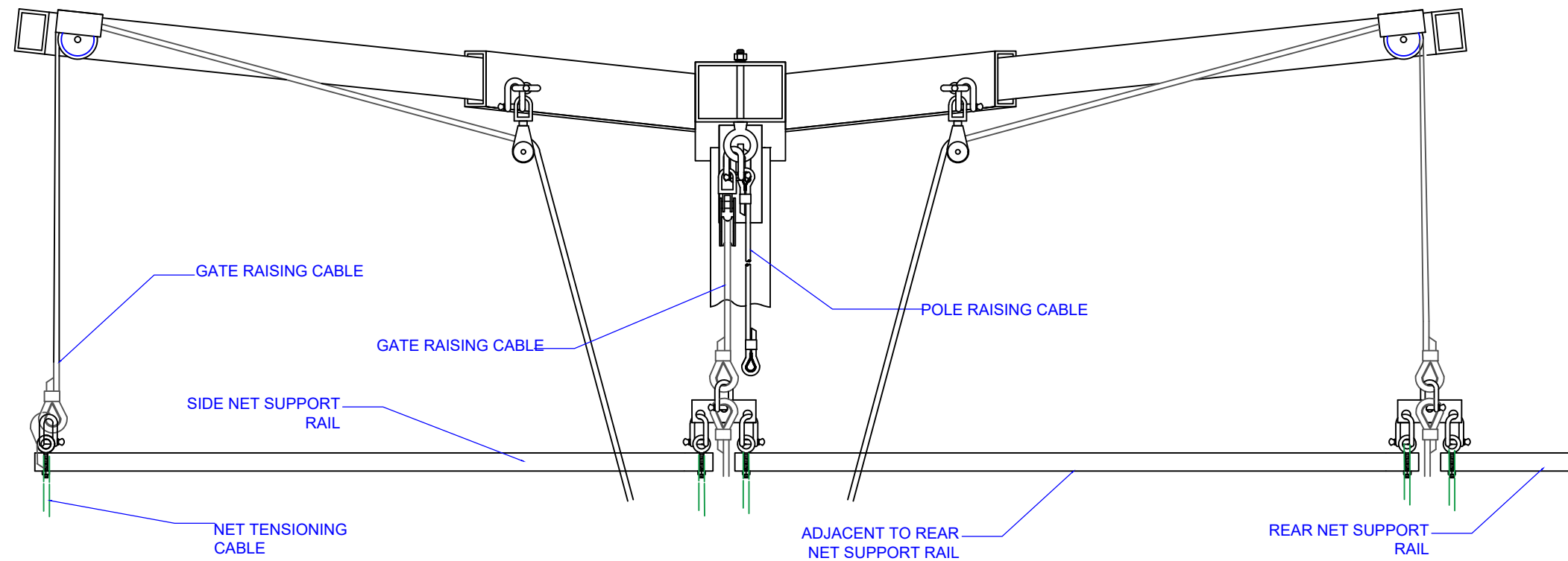


ROPE LOCATIONS

| ROPE LIST<br>FOR ONE UNIT ONLY                         |                                  |           |            |
|--|----------------------------------|-----------|------------|
| QTY  | ITEM                             | LENGTH    | TOTAL      |
| <b>10 MM BLACK 3 STRAND POLYESTER</b>                  |                                  |           |            |
| 2  | LONG GATE RAISE (1 X EYE)        | 23.5 MTS. | 47.0 MTS.  |
| 2  | SHORT GATE RAISE (1 X EYE)       | 21.5 MTS. | 43.0 MTS.  |
| 2  | 10.0 M PANEL RAISE (1 X EYE)     | 24.0 MTS. | 48.0 MTS.  |
| 4  | REAR EXTENSION RAISE (1 X EYE)   | 17.0 MTS. | 68.0 MTS.  |
| 2  | REAR POLE CENTER RAISE (1 X EYE) | 14.0 MTS. | 28.0 MTS.  |
| 6  | FRONT NET RETAINING (1 X EYE)    | 11.5 MTS. | 69.0 MTS.  |
| 6  | REAR NET RETAINING (1 X EYE)     | 8.5 MTS.  | 51.0 MTS.  |
|  |                                  | TOTAL     | 354.0 MTS. |
| <b>10 MM DOUBLE BRAIDED POLYESTER WHITE/BLUE FLECK</b> |                                  |           |            |
| 2  | GATE RELEASE (1 X EYE)           | 10.0 MTS. | 20.0 MTS.  |
| <b>5 MM CABLES</b>                                     |                                  |           |            |
| 2  | GATE POLE RAISING (2 X EYES)     | 10.05 MTS | 20.10 MTS. |
| 2  | REAR POLE RAISING (2 X EYES)     | 6.94 MTS  | 13.88 MTS. |
| 1  | WINCH CABLE (1 X EYE)            | 10.0 MTS  | 10.0 MTS.  |
| 1  | WINCH STAND CABLE (2 X EYES)     | 1.6 MTS   | 1.6 MTS.   |
| 15   | 7.6.0 x 200.0 CABLE TIES         | -         | -          |



REAR POLE

|  |  |   |               |
|--|--|---|---------------|
| TITLE: THOR - 10 HAMMER CAGE.<br>ASSEMBLY - 15<br>ROPE ATTACHMENT        |  |   |               |
| DRAWING NUMBER:<br>THOR - 10   |  | CHECKED BY:<br>TREVOR B.  |               |
| SHEET<br>14 OF 18  |  | DRAWN BY:<br>UMESH  |               |
| UNITS:<br>m m.   |  | DATE:<br>19/09/2022   |               |
| TOLERANCE: 0.0 ± 1.0 0.0° ± 1°<br>0.00 ± 0.5 0.00° ± 0.5°<br>0.000 ± 0.2 |  | SCALE:<br>S : N   | SYSTEM:<br>A3 |
|  |  | Oz Ring Pty Ltd<br>Trading as:<br>Play Hard Sports Equipment<br>ABN 79 056 094 559<br>24 Em Harley Drive<br>Burleigh Heads Qld 4220<br>Phone: (07) 5593 4494<br>Fax: (07) 5593 4338<br>Website: www.playhardsports.com.au<br>Email: email@playhardsports.com.au |               |